



# RD4000

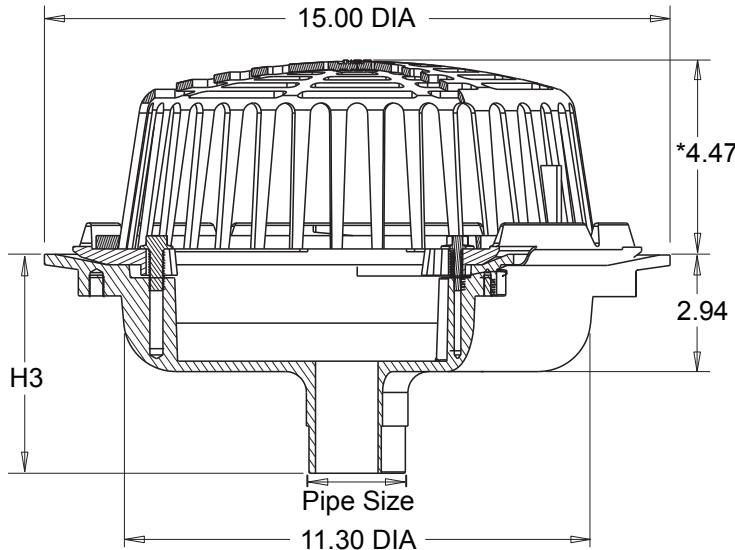
15" DIA. ROOF DRAIN

LOCATION: \_\_\_\_\_

## Specification & Function

**Specification:** SUN® RD4000 15" diameter roof drain, epoxy coated cast iron body with combination membrane flashing clamp/gravel guard and low profile poly dome.

**Function:** Used on any type of flat roofs. Low profile dome prevents debris from entering the drain line. The anchor flange and membrane clamp provide a secure grip of membrane and roof flashing materials.



| Outlet Type  | Outlet Desig. Pipe Size | Body Height H3 (In.) |
|--------------|-------------------------|----------------------|
| Inside Caulk | 2IC, 3IC, 4IC, 6IC      | 5.30                 |
|              | 8IC                     | 5.44                 |
| No Hub       | 2NH                     | 5.25                 |
|              | 3NH, 4NH                | 4.60                 |
|              | 5NH, 6NH, 8NH           | 5.25                 |
| Δ Push On    | 2PO, 3PO, 4PO           | 4.60                 |
|              | 6PO                     | 5.45                 |
| Threaded     | 2TH, 3TH, 4TH, 5TH, 6TH | 3.75                 |

\* Dome height to be 5.00" when W4 is specified.

## Pipe Size

| SUFFIX                     | DESCRIPTION        |
|----------------------------|--------------------|
| <input type="checkbox"/> 2 | 2" (51) Pipe Size  |
| <input type="checkbox"/> 3 | 3" (76) Pipe Size  |
| <input type="checkbox"/> 4 | 4" (102) Pipe Size |
| <input type="checkbox"/> 5 | 5" (127) Pipe Size |
| <input type="checkbox"/> 6 | 6" (152) Pipe Size |
| <input type="checkbox"/> 8 | 8" (203) Pipe Size |

## Outlet Type

| SUFFIX                       | DESCRIPTION        |
|------------------------------|--------------------|
| <input type="checkbox"/> IC  | Inside Caulk       |
| <input type="checkbox"/> NH  | No Hub             |
| <input type="checkbox"/> ΔPO | Push On            |
| <input type="checkbox"/> TH  | Threaded (2" - 6") |

## Options

| SUFFIX                         | OPTIONAL VARIATIONS                         |
|--------------------------------|---|
| <input type="checkbox"/> -AD   | Aluminum Dome                               |
| <input type="checkbox"/> -AE   | Adjustable Extension                        |
| <input type="checkbox"/> -AR   | Acid Resistant Epoxy Coated                 |
| <input type="checkbox"/> -C    | Underdeck Clamp                             |
| <input type="checkbox"/> -CID  | Cast Iron Dome                              |
| <input type="checkbox"/> -D    | 2" External Water Dam                       |
| <input type="checkbox"/> -DP   | Top Mount Deck Plate                        |
| <input type="checkbox"/> -G    | Galvanized Cast Iron                        |
| <input type="checkbox"/> -GD   | Galvanized Cast Iron Dome                   |
| <input type="checkbox"/> -GG   | 4" High SS Perforated Gravel Guard          |
| <input type="checkbox"/> -R    | Roof Sump Receiver                          |
| <input type="checkbox"/> **-W4 | 4" High Internal Water Dam                  |
| <input type="checkbox"/> -2PE  | 2" High SS Perforated Extension             |
| <input type="checkbox"/> -4PE  | 4" High SS Perforated Extension             |
| <input type="checkbox"/> -90   | Side Outlet Body (Threaded 2", 3", 4" only) |
| <input type="checkbox"/> -90N  | 90° No Hub Side Outlet Body (2" - 4" Only)  |
| <input type="checkbox"/> -SS   | Stainless Steel Mesh Dome                   |
| <input type="checkbox"/> -VR   | Vandal Resistant Dome                       |

\*\* 4" High Internal Waterdam can be cut by others to 3" or 2" water dam height as marked on standpipe.

Δ Not recommended for Roof Drain applications.



| Pipe Size (In.) | Approx. Wt. Lbs. | Dome Open Area Sq. In. |
|-----------------|------------------|------------------------|
| 2 - 3 - 4       | 28               | 105.36                 |
| 5 - 6           | 28               |                        |
| 8               | 25               |                        |



PROJECT: \_\_\_\_\_

CONTRACTOR: \_\_\_\_\_